

# **BRITISH STANDARD**

BY PLAIN ENGLISH

# **FITTING INSTRUCTIONS**

**Modular Screens**

# PLANNING

British Standard screen elements are supplied in fixed widths and heights with the exception of element S5 which can be ordered in a custom width.

The screens are designed to have a 5 mm shadow gap all round so the opening should be constructed at 10 mm taller and 50 mm wider than the overall height and width of the run of the screen.

Openings must be level and have plumb sides. If there are any unavoidable discrepancies the opening must allow for maximum rectangular size of the entire screen run plus at least 5 mm gap at the narrowest points. In this instance there would be shadow gaps of more than 5 mm where the floor or wall are out of plumb/level.

The vertical frame of each element is 20 mm wide which combines with its 'neighbour' element to form a vertical of 40 mm wide. At the right or left hand end of a screen run it is necessary to attach a 20 mm wide S6 element to make the vertical up to 40 mm. It is also the S6 element which 'hooks' onto and is screwed to the timber wall-battens.

Direction of door swing - the doors open outwards ie. 'away from you' in the sense that they are shown on pages 1 & 2 of the drawings so this must be allowed for when planning the flow of a room. The screens can be installed 'back to front' but look slightly different from the inside/back as they are glazed from behind and therefore look a little 'busier' (see drawings on pages 3, 5, 6 & 7) which some people prefer. Position of doors within opening: consideration should be given about where to site the screen within the wall thickness of an opening eg. it may be necessary to set the doors close to the edge of an opening to prevent the doors from jamming on the corner of the wall, especially if the doors are to open fully parallel to the adjacent wall.

# FITTING

Attach the black timber battens to the walls, floor and ceiling except where there is a door opening in which case there should be no floor batten. Battens should be set 4 mm back from the front line of the screens to allow for the thickness of the steel flange.

When battens are fitted there should be a gap of c. 2 mm between batten and steel to allow space for adjustment and shims; shims will be concealed at the final stage when steel finishing strips are fixed to the rear of the screen.

To prevent light showing between the battens and the wall a thin bead of black mastic can be applied to each batten before finally attaching it to the wall.

Screen elements are attached to the battens through pre-drilled holes in the edge of each frame. To access these holes it is necessary to remove the glazing frames and the steel panel on the inside of each element. The steel panels are made as folded 'trays' which locate on two lugs into the base of each frame and are retained by two grub screws which are visible when the lowest glazing frame is removed - undo the grub screws then lever the steel panel out and off to access the lower fixing holes.

When serving the steel frames to the battens it is important to sham carefully and avoid pulling the batten away from the wall to create a gap through which light will be visible. A technique to avoid this is to mark the fixing point then drill

a clearance hole right through the batten then to insert a wall plug (if necessary) to fix the frame directly into the wall/ceiling.

Work from one end of the run fixing and levelling as you go.

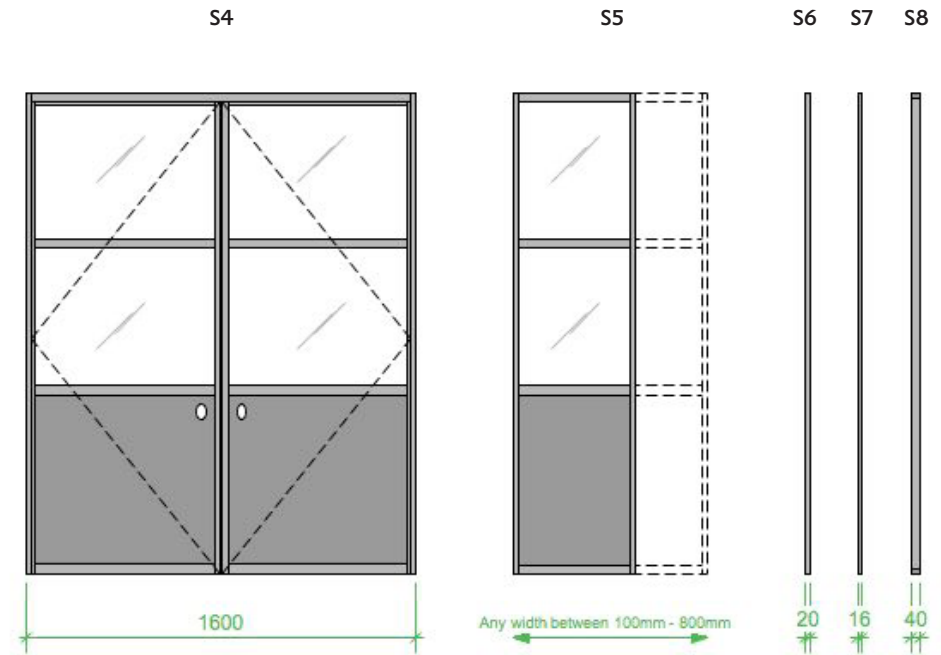
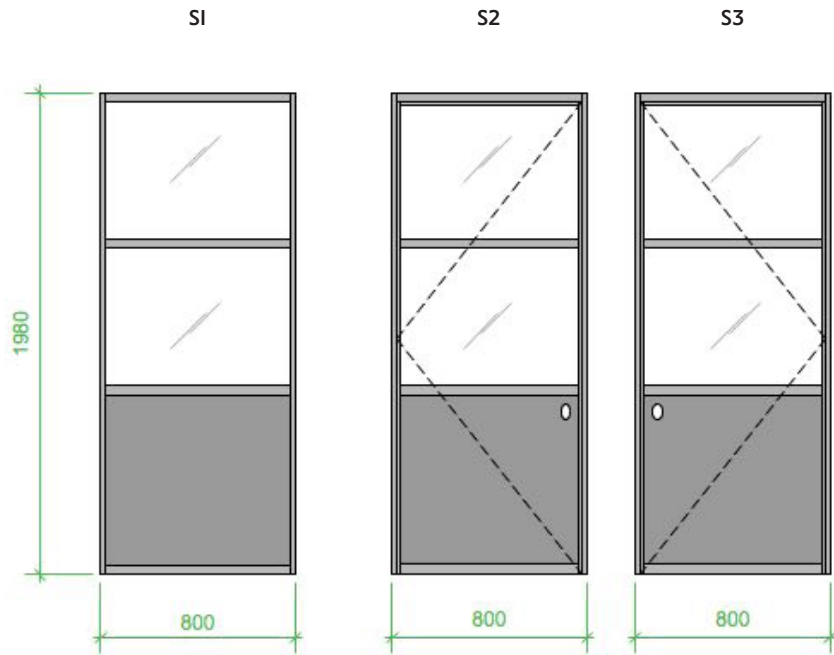
To prevent light showing through the gap between steel verticals apply a strip of the thin foam tape to one side of each assembly prior to connection.

When all elements are attached, re-fit the steel panels and glaze the windows using the 4mm foam tape provided - this should be attached to the frame and to the glazing frame so that each piece of glass is 'sandwiched' between strips of foam tape. The tape should be set down c. 1mm from the visible rim of each frame so that it does not bulge in front of the glass when compressed.

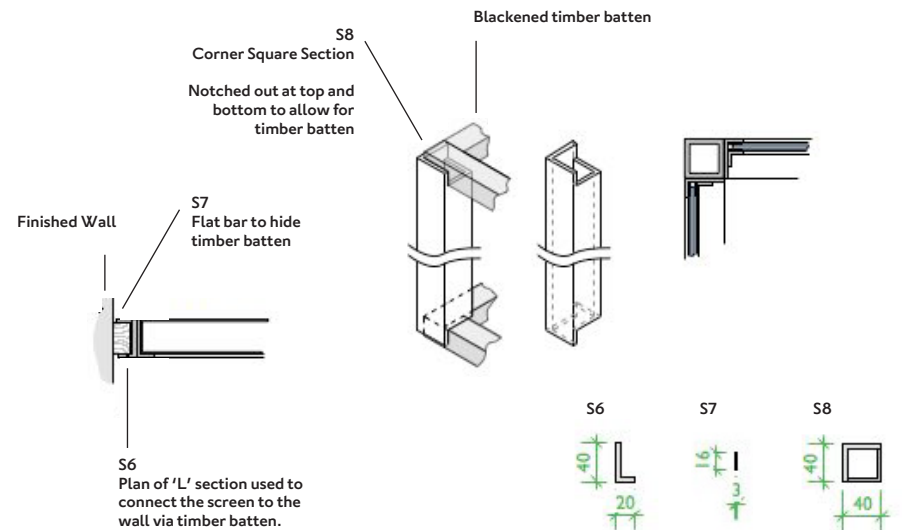
Doors can now be lowered onto the pivot hinges. Double doors are retained by magnets at the top of the frame but have a sliding bolt at the bottom of the left hand door; this locates into a square steel plate which needs to be let flush into the floor and a notch chiselled out to receive the bolt.

The final operation is to attach the steel strips to the rear of the frame using the black, slot headed screws provided. The strips will conceal the shims and any gaps around the frame and will create a 5mm shadow gap to echo the one on the front of the screen.

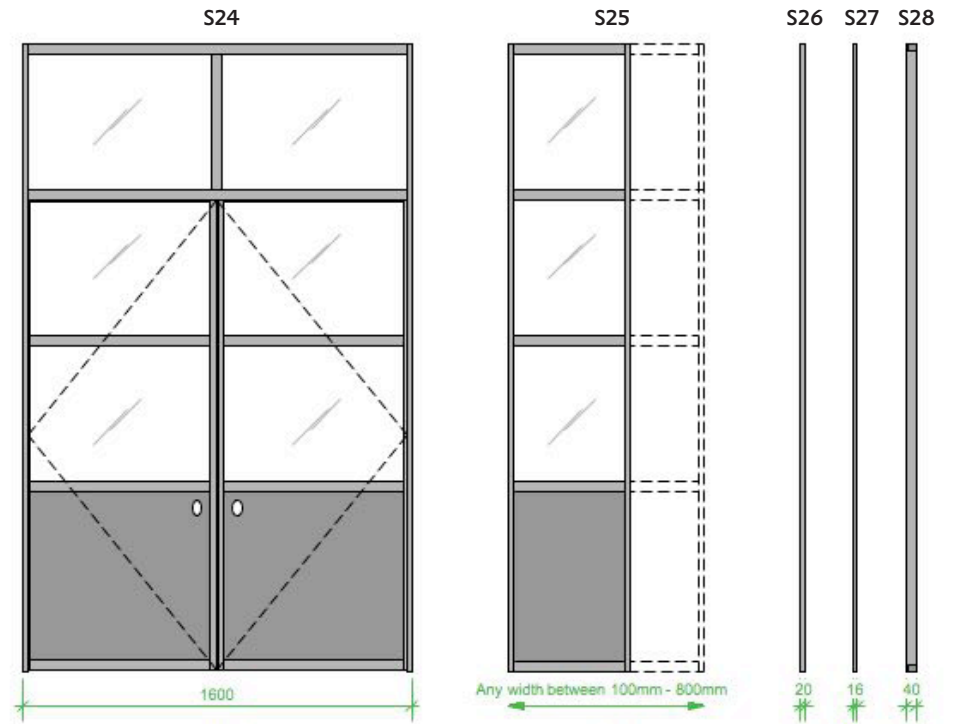
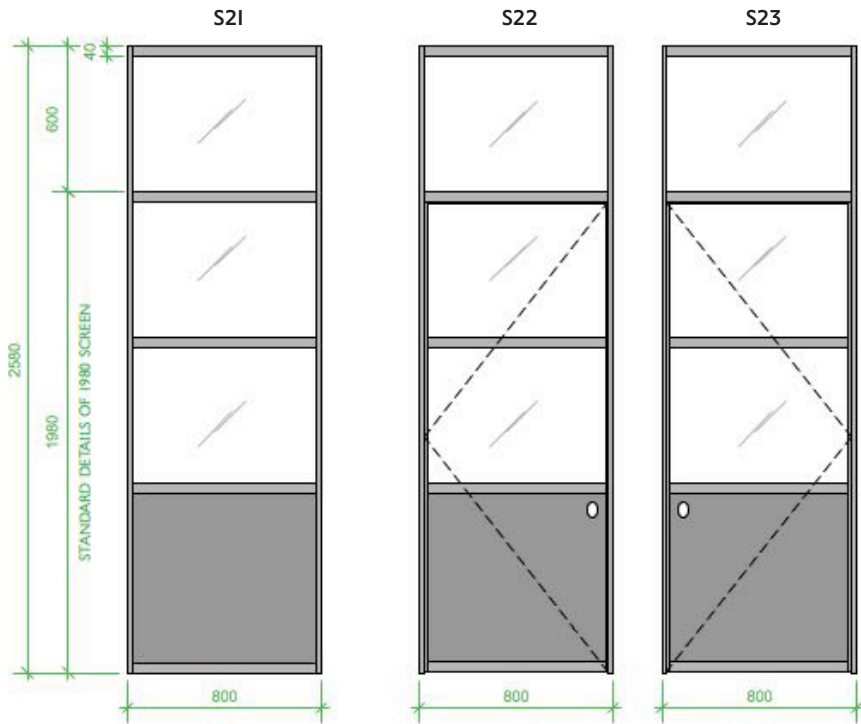
# I980 Screens



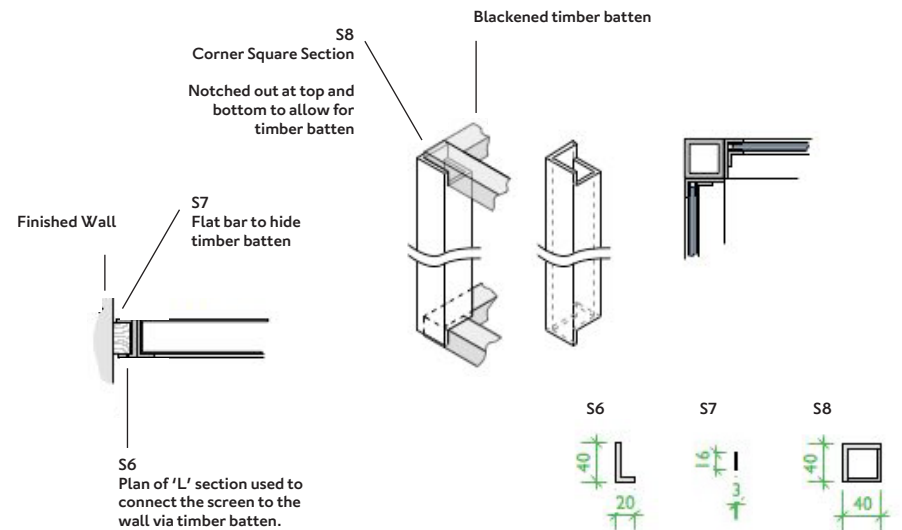
- S1, 800 Screen Panel
- S2, 800 Single Door, opening inwards, hinged on left
- S3, 800 Single Door, opening inwards, hinged on right
- S4, 800 Double
- S5, Custom width panel. Min 100 mm /Max 800 mm
- S6, 'L' section length, length 1980 mm
- S7, Flat bar length, length 3000 mm
- S8, 40 mm Corner square section, length 1980 mm



# 2580 Screens



- S21, 800 Screen Panel
- S22, 800 Single Door, opening inwards, hinged on left
- S23, 800 Single Door, opening inwards, hinged on right
- S24, 800 Double
- S25, Custom width panel. Min 100mm /Max 800mm
- S26, 'L' section length, length 2580 mm
- S27, Flat bar length, length 3000 mm
- S28, 40 mm Corner square section, length 2580 mm





**British Standard Cupboardmakers  
Stowupland Hall  
Stowupland, Stowmarket  
Suffolk, IP14 4BE**

**britishstandardcupboards.co.uk  
01449 774028**